

BALÓNY KUBÍČEK spol. s r.o.
Seat: Francouzská 81, 602 00 Brno
Office: Jarní 2a, 614 00 Brno
Czech Republic
tel.: +420 545 422 620
fax: +420 545 422 621
info@kubicekballoons.cz
www.kubicekballoons.cz

Flight Manual Supplement

Basket Door and Passenger Seat

(Applicable for balloons of serial number 640 and higher.)

Type: **BB** (Type Certificate No. B04CE)

Basket Model:

Basket Serial No.:

This manual supplement [also] constitutes the FAA Approved Balloon Flight Manual for U.S. operations in accordance with FAR 21.29

Initial date of approval: November 09, 2009

**This balloon is to be operated in compliance with information and limitations contained herein.
The Flight Manual has to be placed in the basket during flight.**

0.1 RECORD OF REVISIONS

Any revision of the present Supplement, must be recorded in the following table. The new or amended text in the revised page will be indicated by a black vertical line in the margin, and the Revision No. and the date will be shown on the bottom of the page.

All changes to this Flight Manual Supplement which were made before the date of the issue stated on the title page have been incorporated into this Manual.

Revision Number	Affected Section	Affected Pages	Date of Issue	Approval	Date of Approval

0.3 LIST OF EFFECTIVE PAGES

Section	Page	Date of Issue
0	D&S-2	30 Jun 2009
1	D&S-5	30 Jun 2009
2 (Appr.)	D&S-5	30 Jun 2009
3 (Appr.)	D&S-5	30 Jun 2009
4 (Appr.)	D&S-5	30 Jun 2009
	D&S-5	30 Jun 2009
5	D&S-6	30 Jun 2009
6	D&S-6	30 Jun 2009
	D&S-6	30 Jun 2009
7	D&S-6	30 Jun 2009
8	D&S-7	30 Jun 2009

NOTE:

The sections or specific pages identified with "Appr." have been approved by FAA.

CONTENTS

0.1 Record of Revisions	D&S-2
0.3 List of Effective Pages.....	D&S-2
SECTION 1 - GENERAL	D&S-5
1.1 Introduction	D&S-5
SECTION 2 - OPERATIONAL LIMITATIONS	D&S-5
2.11 Fitment Interchangeability	D&S-5
2.19 Other Limitations	D&S-5
SECTION 3 - EMERGENCY PROCERURES	D&S-5
SECTION 4 - NORMAL PROCERURES.....	D&S-5
4.4.2 Passenger Briefing.....	D&S-5
4.3.2 Assembling the Ballon.....	D&S-5
4.3.3 Pre-Inflation Check.....	D&S-6
4.5 Take-Off	D&S-6
4.7 Landing	D&S-6
SECTION 5 - WEIGHT.....	D&S-6
SECTION 6 - BALLOON AND SYSTEMS DESCRIPTION.....	D&S-6
6.7.4 Basket Door	D&S-6
6.7.5 Passenger seat.....	D&S-7
SECTION 7 - BALLOON HANDLING, CARE AND MAINTENANCE	D&S-7
7.5.6 Passenger seat	D&S-7
SECTION 8 - EQUIPMENT LIST AND APPENDICES	D&S-7

INTENTIONALLY LEFT BLANK

SECTION 1 - GENERAL

1.1 INTRODUCTION

This Supplement to the Flight Manual (document no. B.2105) provides information and limitations applicable when a basket with door and / or passenger seat is used. The arrangement and numbering of sections in this Supplement is the same as in the Flight Manual. If any section is influenced, only the different or additional information is stated in this Supplement, all other remain without any change.

SECTION 2 - OPERATIONAL LIMITATIONS

2.11 FITMENT INTERCHANGEABILITY

The basket fitted with the door or the passenger seat installed must only be flown under the envelope fitted with Rotation Vent.

2.19 OTHER LIMITATIONS

Basket door

The door must remain closed and both hinge pins secured during the entire flight.

Passenger seat

The seat, trestle and attachment system must not be damaged. The passenger in the seat must be seated and wear the harness during the entire flight.

SECTION 3 - EMERGENCY PROCERURES

No change

SECTION 4 - NORMAL PROCERURES

4.4.2 Passenger Briefing

Passengers must not	Touch the door securing carabiners
--------------------------------	------------------------------------

4.3.2 Assembling the Ballon

Additional information for assembling the balloon:

When the pilot chooses to use the seat, it should be installed into the basket prior to cold inflation. The procedure is described in para 6.7.5

Always lay the basket with the door closed and on the other side than that with the door.

4.3.3 Pre-Inflation Check

In addition to the standard check inspect the following:

Basket door	Check correct function
Seat	Check its attachment to the basket floor

4.5 TAKE-OFF

In addition to the standard check inspect the following:

Passengers in the seat	Sitting in the seat with harness correctly worn and adjusted
Door	Closed and secured on both sides

4.7 LANDING

Landing checks:

Rotation vent	Rotate the balloon to have sitting passenger(s) back to the direction of flight and to land on a basket side other than that with the door
----------------------	--

SECTION 5 - WEIGHT

No change

SECTION 6 - BALLOON AND SYSTEMS DESCRIPTION

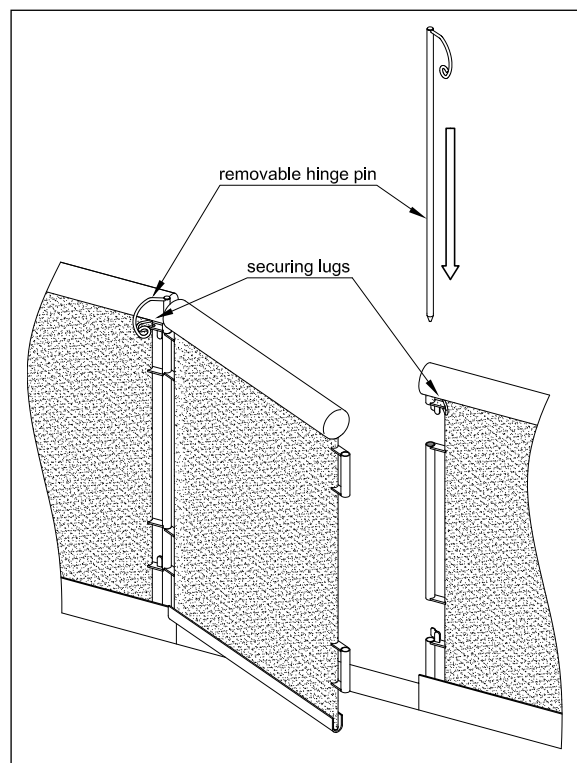
6.7.4 Basket Door

Basket door is an optional equipment for an easy embarking and disembarking of passengers, mainly elderly or disabled persons. The door is to be open only on pilot's instruction prior to take-off before the balloon has been released from the quick release; and after landing.

The door and its frame structure is made of stainless steel tubes, wickerwork is done in the same manner as the standard basket wall. The door is hinged on both sides and can be open on either side or even completely removed by removing the continuous hinge pin on desired side. Securing the pins is provided by attaching the pin lugs to the door frame lugs with carabiners.

WARNING:

Both door hinge pins must be secured during the entire flight!



6.7.5 Passenger seat

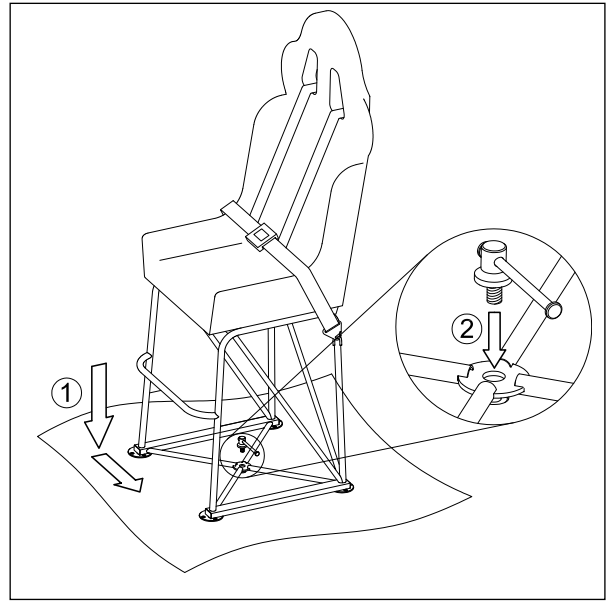
Passenger seat is an optional equipment designed for easy installation and removal by the pilot without using tools. The composite seat with upholstery and four-point restraint harness is supported on a stainless steel trestle that attaches to the basket floor by four corner pins and a central bolt.

Seat installation:

1. Insert the pins in the underside of the trestle into the groove in metal plates on the basket floor and slide the seat sideways to fasten all pins.
2. Screw in the central bolt and tighten with hand.

NOTE:

The correct orientation of seats must be taken into account. All seats must be installed so that orientation with all seating passengers back to the direction of flight before landing is possible.



During pre-flight preparation:

The weight and floor area occupancy of the seat is to be taken into account. The actual weight of the complete set is engraved on the trestle.

Floor area occupied by the seat: 0.27 m² (2.9 sq. ft)

SECTION 7 - BALLOON HANDLING, CARE AND MAINTENANCE

7.5.6 Passenger seat

When dirty the seat upholstery should be cleaned with a car upholstery cleaning agent, do not soak it with water. For other parts use mild soapy solution. Allow all parts to dry well before storing.

Store the seat in a clean airy dry place.

SECTION 8 - EQUIPMENT LIST AND APPENDICES

No change.

BALÓNY KUBÍČEK spol. s r. o.
e-mail: sales@kubicekballoons.cz • www.kubicekballoons.cz
Seat: Brno 602 00 • Francouzská 81 • Czech Republic
Office: Brno 61400 • Jarní 2a • Czech Republic
tel.: +420 545 422 620, • fax: +420 545 422 621

© Copyright BALÓNY KUBÍČEK spol. s r.o.
2009