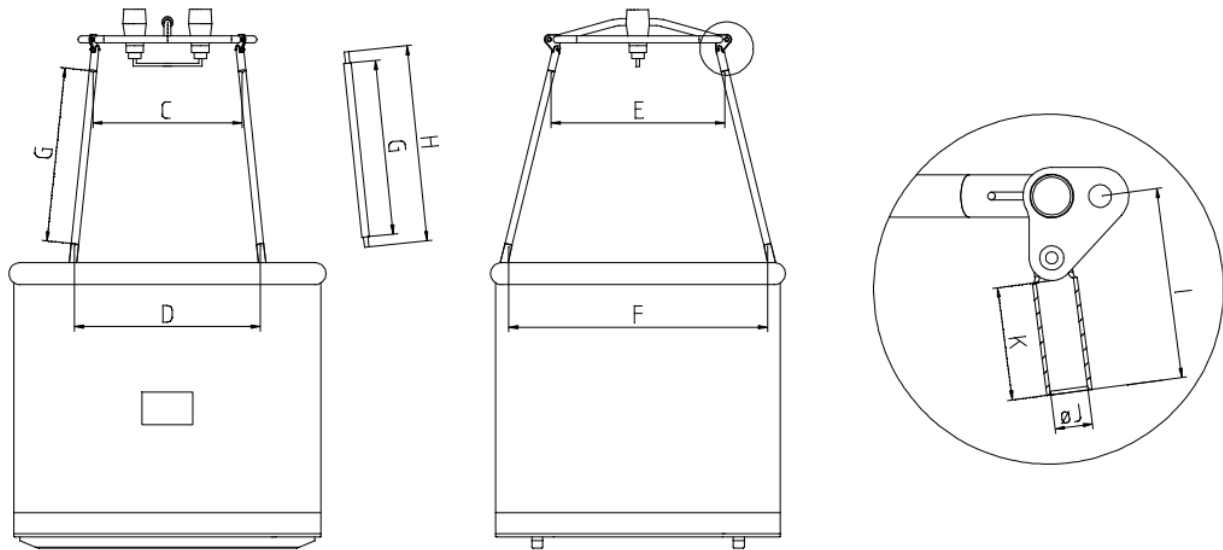


KUBICEK

Burner frame	
Manufacturer:	
Type:	
S/N:	



Basket			
Manufacturer:		Dimension F:	
Type:		Dimension G:	
S/N:		Dimension H:	
Dimension C:		Dimension I:	
Dimension D:		Dimension J:	
Dimension E:		Dimension K:	

Date:

Customer signature: