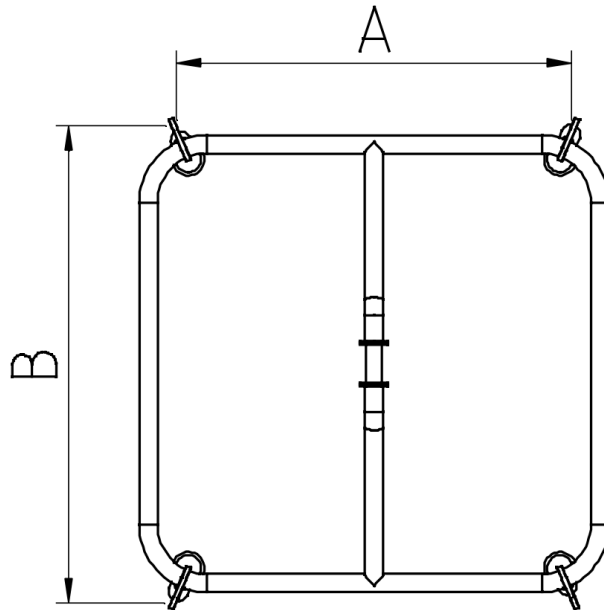


WE ARE
KUBICEK FACTORY

KUBICEK

Envelope	
Model:	
S/N:	



Burner frame	
Manufacturer:	
Type:	
S/N:	
Dimension A:	
Dimension B:	

Date:

Customer signature: