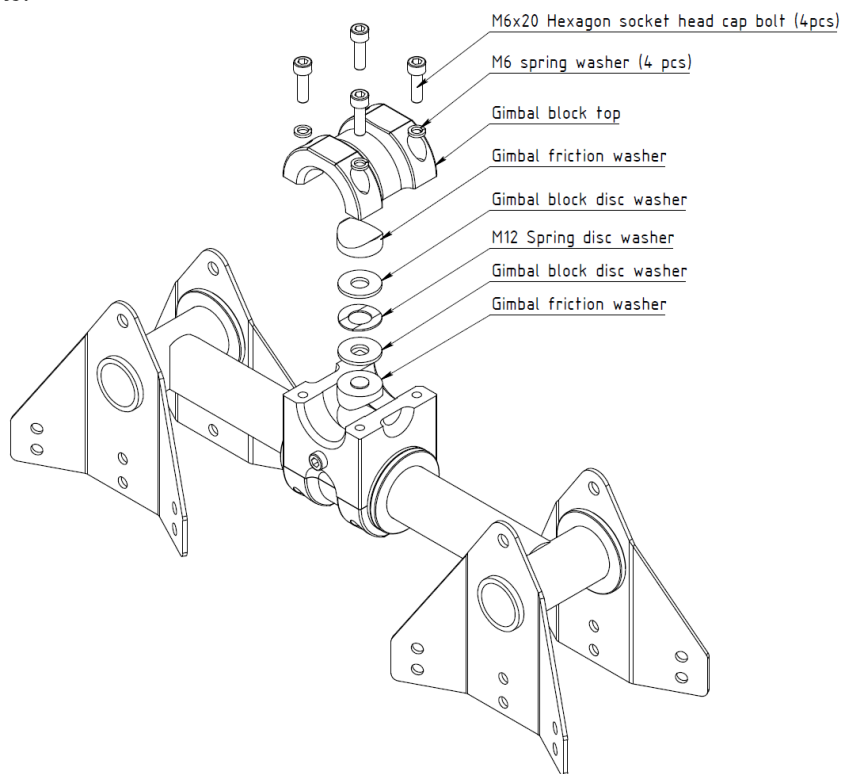


issues

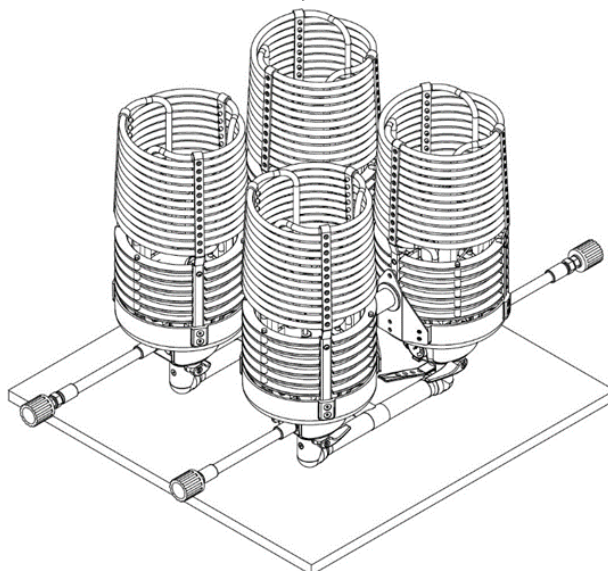
SERVICE INSTRUCTION no. 2020/04
Gimbal block assembly after transport

- Cause:** Disassembled burner units from burner frame due to transport
- With reference to:** All Kubicek Balloons Triple and Quad burners and burners frames
- Action:** Gimbal block assembly
- Required materials:**

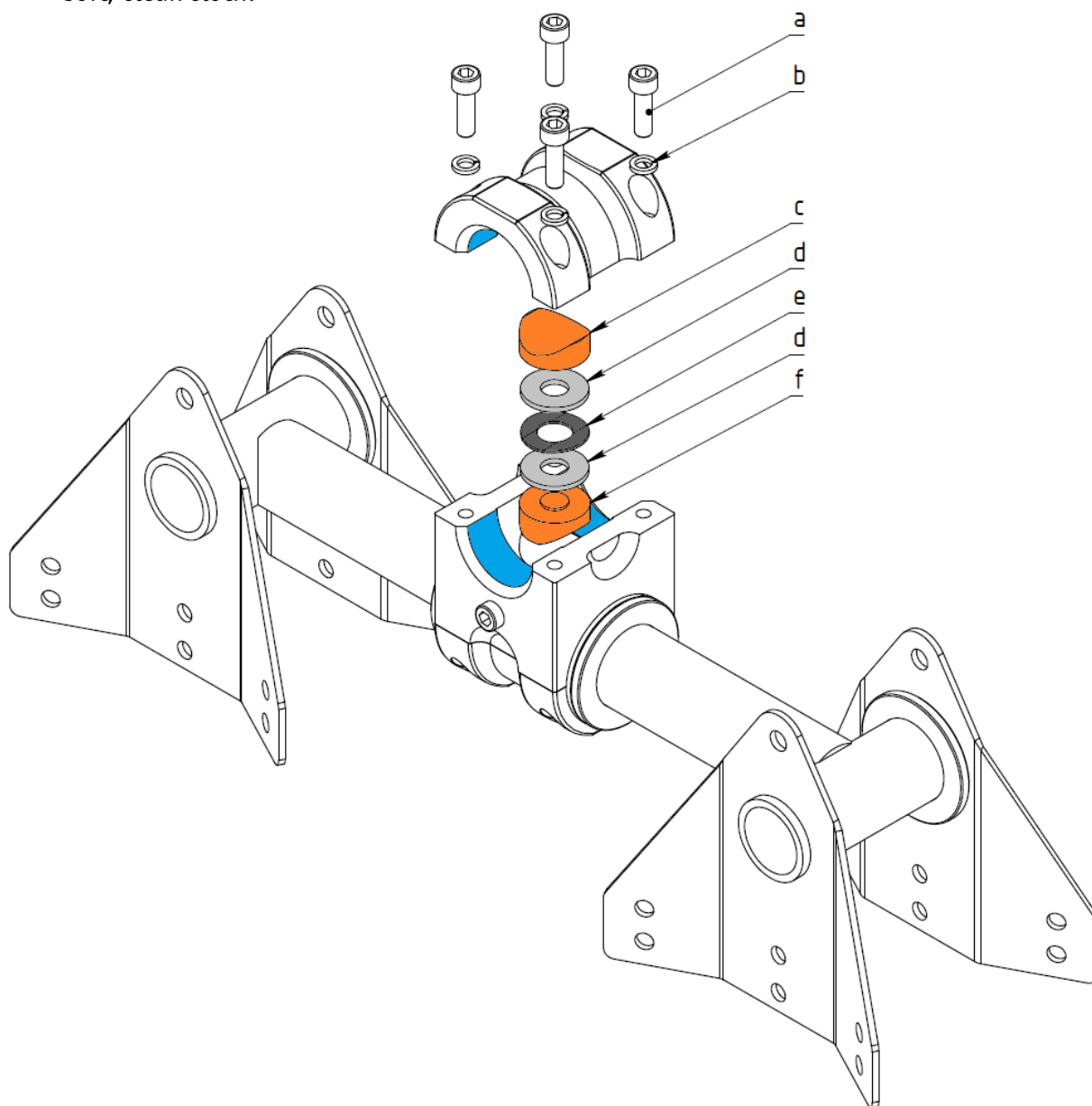


Order of assembly:

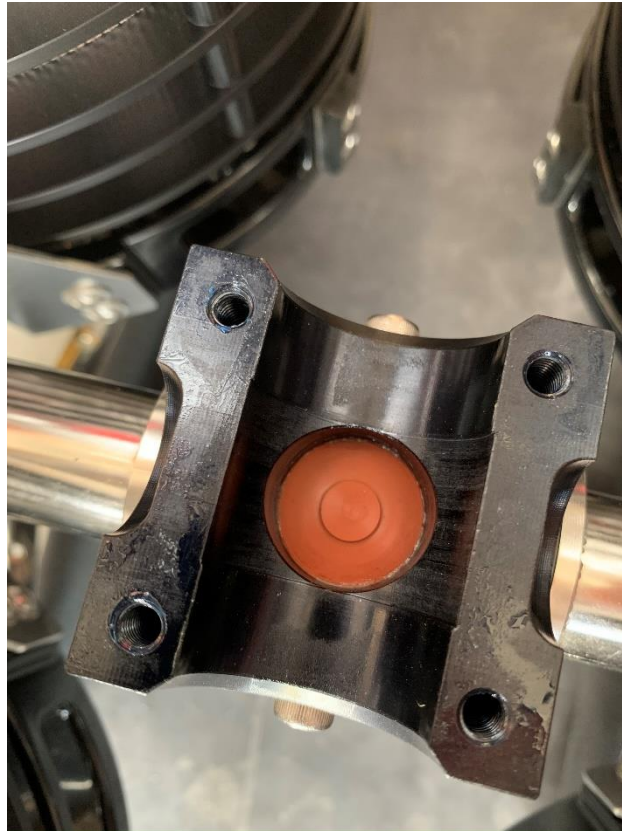
- 1) Place burners units on soft, flat surface to protect them from scratches or other damage.



- 2) Disassemble gimbal block by unscrewing 4 bolts from top.
- 3) Remove adhesive tape, which secures internal components of gimbal block during transport.
- 4) Check that you have all listed and shown parts:
 - a. 4x M6x20 Hexagon socket head cap bolt
 - b. 4x M6 Spring washer
 - c. 1x upper Gimbal friction washer
 - d. 2x Gimbal block disc washer (3 types: 2 mm; 2,5 mm; 3 mm)
 - e. 1x M12 Spring disc washer
 - f. 1x lower Gimbal friction washer (should stay in place after transport, see 6)
- 5) Lubricate blue marked areas with grease (recommended silicon grease). Avoid lubrication of middle part, where is friction washer (c). If middle part is accidentally lubricated, clean it with soft, clean cloth.

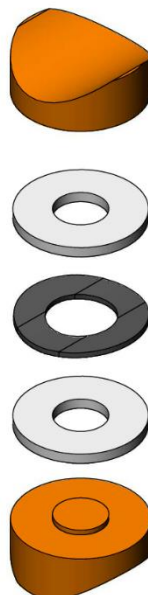


6) Check that lower friction washer is still in Gimbal block.

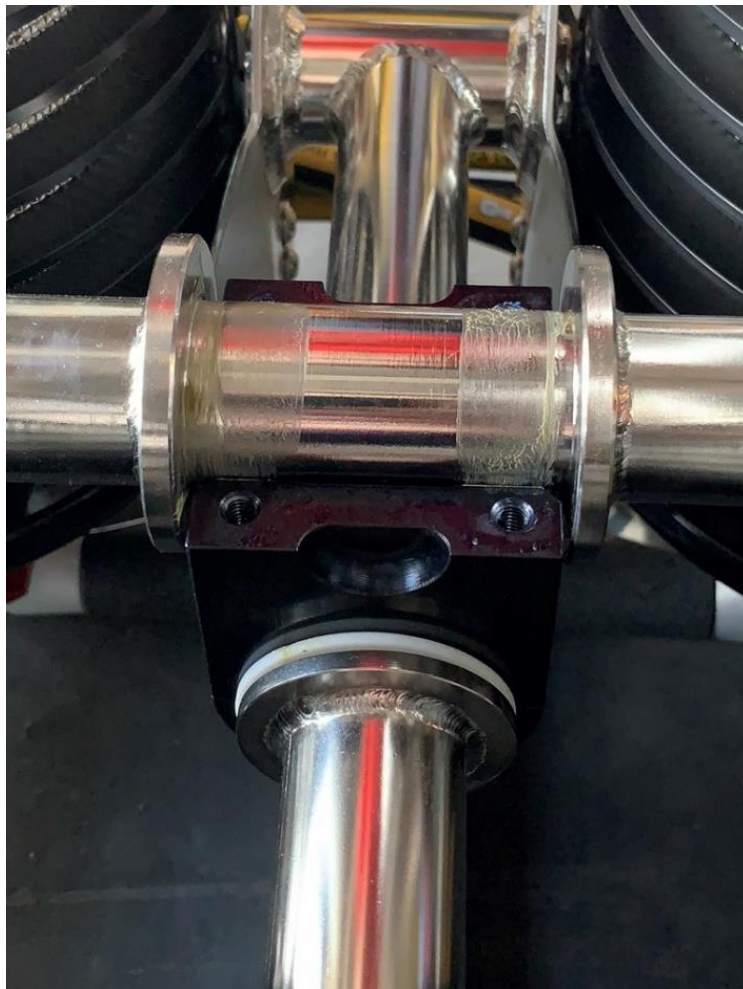
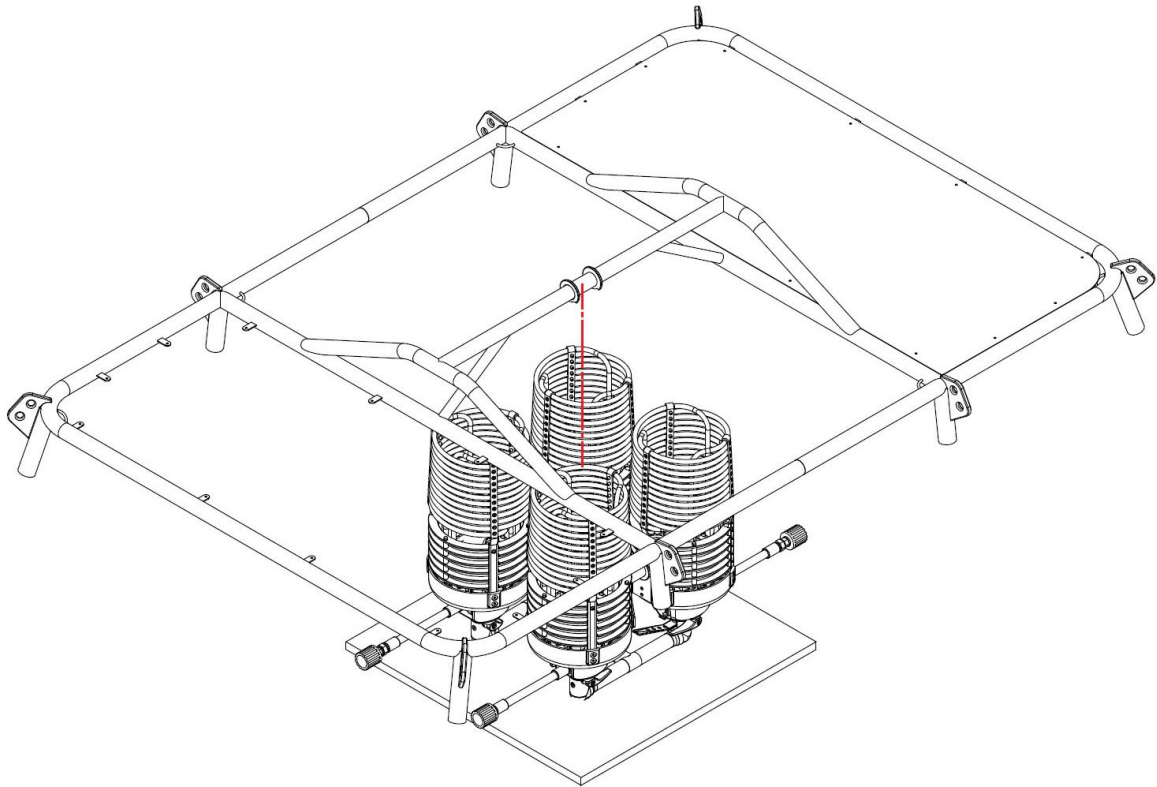


7) Assemble washers in order shown below:

- a. Put into place one Gimbal block disc washer (if changing washer thickness check firstly thickness of washer which came with burner).
- b. Then place M12 Spring disc washer.
- c. Next step is placing second Gimbal block disc washer (if changing washer thickness check firstly thickness of washer which came with burner).
- d. Finish with putting Gimbal friction washer into place.



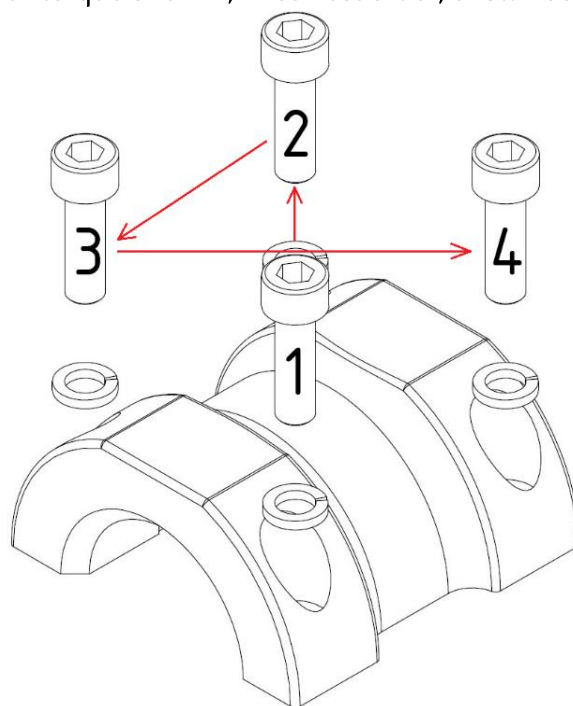
8) Place frame onto Burners units. Middle frame tube sits in Gimbal block.



9) Prepare Gimbal block top with washers and bolts in place.



10) Place Gimbal block top into right position, apply on bolts Loctite 243 thread locking adhesive and tighten bolts with torque of 6 Nm, in correct order, shown below.



11) Assembly is done. Check, that you used all necessary parts and you do not have any unused. Check resistance of gimbal movement. If does not meet your expectation, resistance may be changed by choosing another thickness of washers (see Gimbal block disc washer on page 2.). 3 thickness are available 2 mm; 2.5 mm; 3 mm. The thicker is washer, the more resistance of movement creates.

Technical content of this document is approved under the authority of DOA No. EASA.21J.277.

On behalf of BALÓNY KUBÍČEK spol. s r.o.

Ing. Petr Kubíček, technical director

Datum: **09.09.2020**